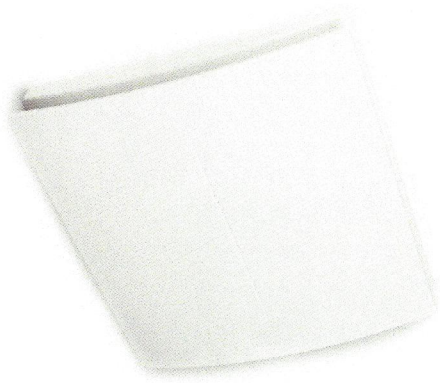


SANO IPIV LOFT

INTELLIGENT LOFT MOUNTED POSITIVE INPUT VENTILATION UNIT

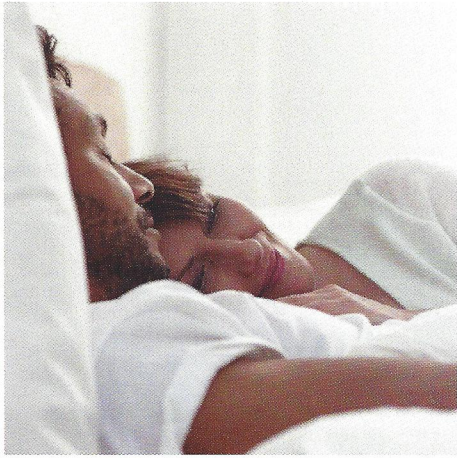


WITH **ECO-LoFlo** TECHNOLOGY

RESIDENTIAL PRODUCT INFORMATION

SANO IPIV LOFT

INTELLIGENT LOFT MOUNTED POSITIVE INPUT VENTILATION UNIT



APPLICATION

The **SANO Intelligent PIV LOFT** is a loft mounted ultra quiet, low energy, low maintenance, home ventilation unit.

The unit is designed to help ventilate a home using the well-established **Positive Input Ventilation (PIV)** principle.

PIV units have been preventing and curing condensation dampness related problems in homes for decades. They are also used to control other indoor air pollutants and have even proven to be an effective means for reducing Radon gas in some properties.

Elta Fans' range of **SANO Intelligent PIV units**, with their unique **ECO-LoFlo** energy and comfort optimisation airflow control technology, represents a 'step change' in PIV technology.

OPERATION

External air is drawn into the loft by the **SANO Intelligent PIV LOFT** unit. Before it passes through the unit's filter, the air increases in temperature as it utilises otherwise unused energy in the loft from solar gain and heat loss from the home. This increase can be significant, but is typically around 3°C warmer than outside air over a heating season. This energy gain is significantly more than the energy used by the unit's motor. The tempered, filtered air is then supplied centrally to the home via the unit's outlet duct and ceiling diffuser.

Integral controls allow the **SANO Intelligent PIV LOFT** unit to be set to suit the individual requirements of the home. Airflow from the unit to the home is automatically regulated via integral temperature and humidity sensors which optimise the energy benefit of the unit while ensuring that sufficient air is always supplied to help control moisture and other pollutant levels in the home.

FEATURES / BENEFITS

Discreet Small white plastic supply air diffuser which will blend well with any ceiling while distributing the air as required.

Low energy Ultra-low quiet fan/motor assembly.

Robust and lightweight Fan casing construction built to last.

Run Monitor Records time power supplied to unit.

Low maintenance Very large G4 grade filter.

Integral, multi-functional controls With wide airflow and temperature settings which allow the unit to be fine-tuned to suit the individual requirements of a home and its occupants. These controls include:

- 8 unit settings to choose from to suit the size, layout, thermal properties and moisture production in the home.
- Heat Recovery mode function with adjustable trigger temperature setting and adjustable increased airflow setting.
- Standby mode which switches the unit off when the temperature reaches the pre-set "Standby" trigger temperature to save energy and prevent undesirable warm air being introduced unnecessarily in to the home. e.g. during hot summer days.
- ECO-LoFlo function
- Override Boost mode to operate the unit at its maximum airflow by means of a user switch.

Suspension kit and joist mounting brackets Supplied for use as required.

Warranty Each SANO Intelligent PIV LOFT has a FIVE Year Warranty as standard.*

CONDENSATION CONTROL, IMPROVED INDOOR AIR QUALITY & RADON CONTROL FOR HOMES

ULTRA QUIET
VERY LOW RUNNING COSTS
HEAT RECOVERY
WIDE OPERATING RANGE
VARIOUS CONTROL OPTIONS



PERFORMANCE DATA

Unit Setting

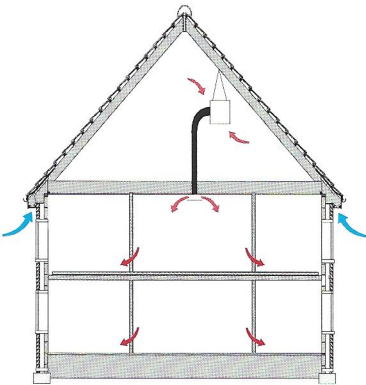
The unit setting is selected by the installer to suit the size, layout, thermal properties and moisture production in the home.

Unit Setting	Normal mode Airflow (L/s)	Heat Recovery mode Airflow (L/s)	Power Consumption* (Watts)	Max Filter Change Interval** (Years)
1	17	17-34 (default 26)	2.0	10
2	21	21-42 (default 31)	2.5	9
3	25	25-50 (default 37)	3.3	8
4	29 (default)	29-58 (default 43)	3.8	7
5	33	33-66 (default 49)	4.1	6
6	37	37-70 (default 55)	4.6	5.5
7	41	41-70 (default 61)	5.6	5
8	45	45-70 (default 67)	6.5	4.5

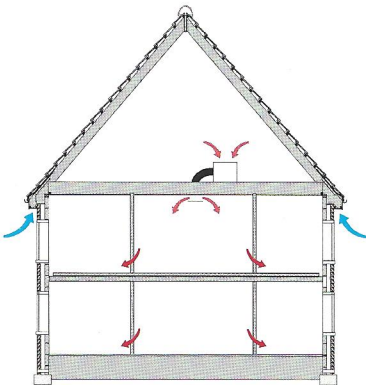
Standby mode – 0L/s – 1.3W. Override Boost mode – 87L/s - 36W. Energy rating: C

*The power consumption shown is Normal mode. **Filter change interval is indicative, high pollution and use of Override Boost mode will affect filter life.

INSTALLATION TYPES



Suspended



Joist Mounted

MODES

Normal

The unit will run in this mode for the vast majority of its operational time until the unit's integral temperature sensor switches it to Heat Recovery or Standby mode or the Override Boost mode (if connected via a suitable switch) is activated by the occupants.

Eco-LoFlo

The unit constantly monitors the incoming air's temperature and moisture content. When the incoming air is below 10°C the unit checks its moisture content to see how dry it is as less drier air is needed to be supplied to the home to control internal humidity levels. The unit's Normal airflow is reduced automatically in proportion to its moisture content under this function, however, to ensure minimum ventilation rates are maintained, a minimum of 50% of Normal airflow is always provided. This unique control function can not only provide improved comfort levels for occupants, but can also significantly reduce the demand on their heating.

Heat Recovery

The unit will increase in speed when the loft temperature reaches the Heat Recovery trigger temperature to supply even more warmed air from the loft into the home.

Standby

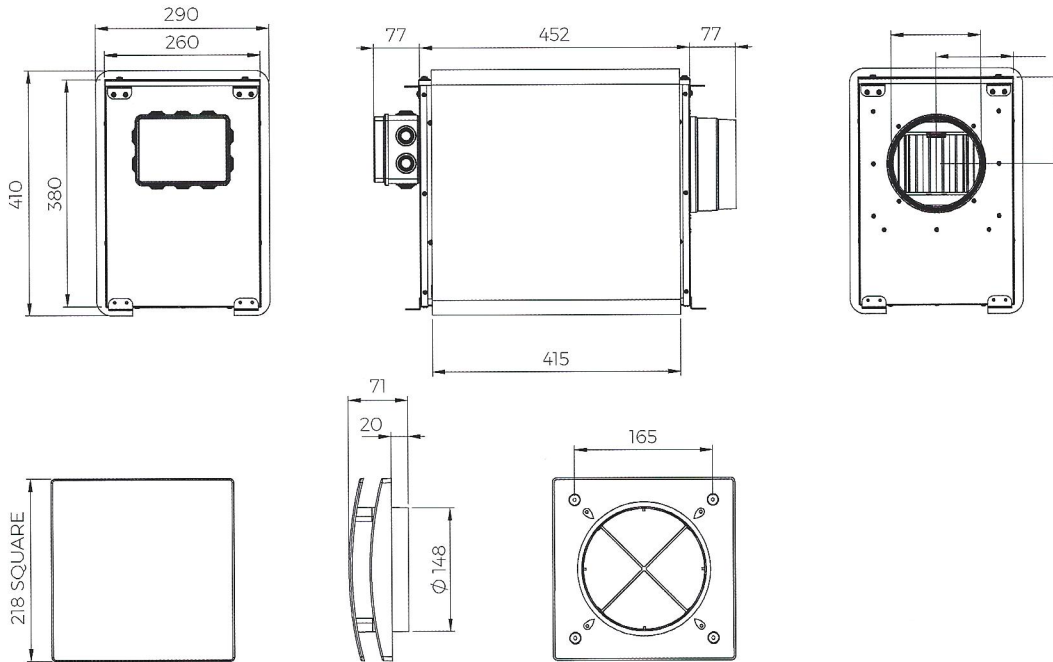
The unit will essentially switch off when the loft temperature reaches the Standby trigger temperature to save energy and prevent undesirable warm air being introduced unnecessarily into the home e.g. during hot summer days. This function can be disabled if continuous running is required e.g. radon gas control.

Override Boost

The unit's automatic controls can be overridden to operate the unit at its maximum airflow by means of a user switch hard wired to the relevant connections within the unit.

DIMENSIONAL DATA

Dimensions in mm



TEL: +44 (0) 1384 275800, **FAX:** +44 (0) 1384 275810, **E-MAIL:** RESIDENTIAL@ELTAFANS.CO.UK
46 THIRD AVENUE, PENNETT TRADING ESTATE, KINGSWINFORM, WEST MIDLANDS, DY6 7US, UK

WWW.HOMEVENT.CO.UK

*First year of warranty covers parts and labour. Following this period the warranty covers replacement parts only. Warranty is subject to inspection and maintenance having been carried out in accordance with our literature and terms and conditions of sale. Proof of purchase, periodic inspection and maintenance will be required in the event of any warranty claim.

Elta Fans Limited has a policy of continuous product development and improvement and therefore reserves the right to supply products which may differ from those illustrated and described in this publication. Confirmation of dimensions and data will be supplied on request.

EFR. PIV LOFT. NOV 2016.

A BRAND OF  BUILDING SERVICES